



BQA014

0.5-2GHz RF Signal Selector

The BQA014 is a broadband signal selection device intended to be used for band defining at RF front end of a broad band RWR/ESM receiver. It features highly selective low loss Suspended Stripline / lumped element hybrid filters which accept signals from the systems antennas in 0.4-2GHz band. The signals are output to the receiver chain which may comprise DLVA and IFM or SHR. Micreo manufactures a family of receiver building blocks that may be cascaded for this purpose.

The BQA014 has built-in receiver protection via an integral PIN diode limiter, and also has a built-in 1.5GHz BITE to allow testing and calibration of the subsequent receiver chain.

The unit is powered by +12V @ 150mA and -10V @ 50mA. The switches are controlled by TTL level logic. Power and switch control is supplied to the device via a 15-way microminiature connector.

Applications

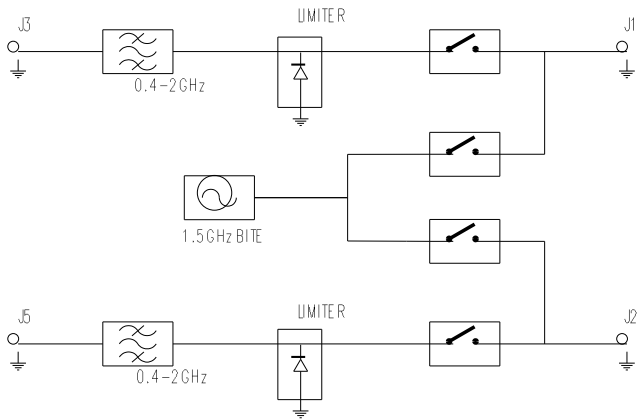
- EW receivers

Key Features

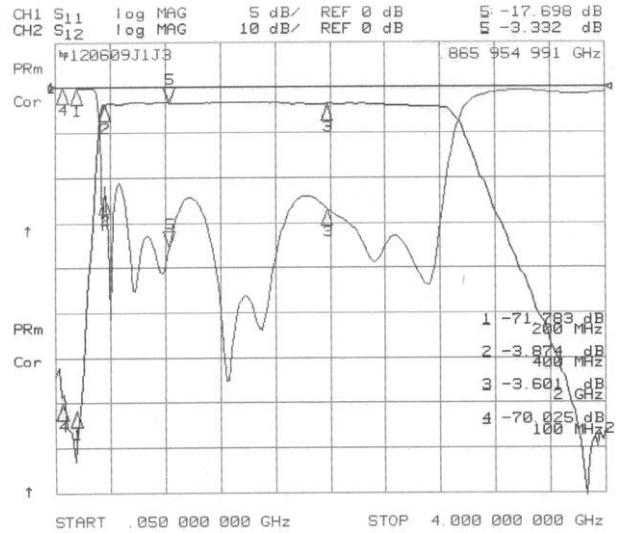
- EW building block designed for fixed wing fighter or attack helicopter environments.
- Fully integrated with other Micreo EW building blocks.
- Built-in limiter protection.
- Selectable inputs for signal, BIT oscillator or wideband noise.

Specifications

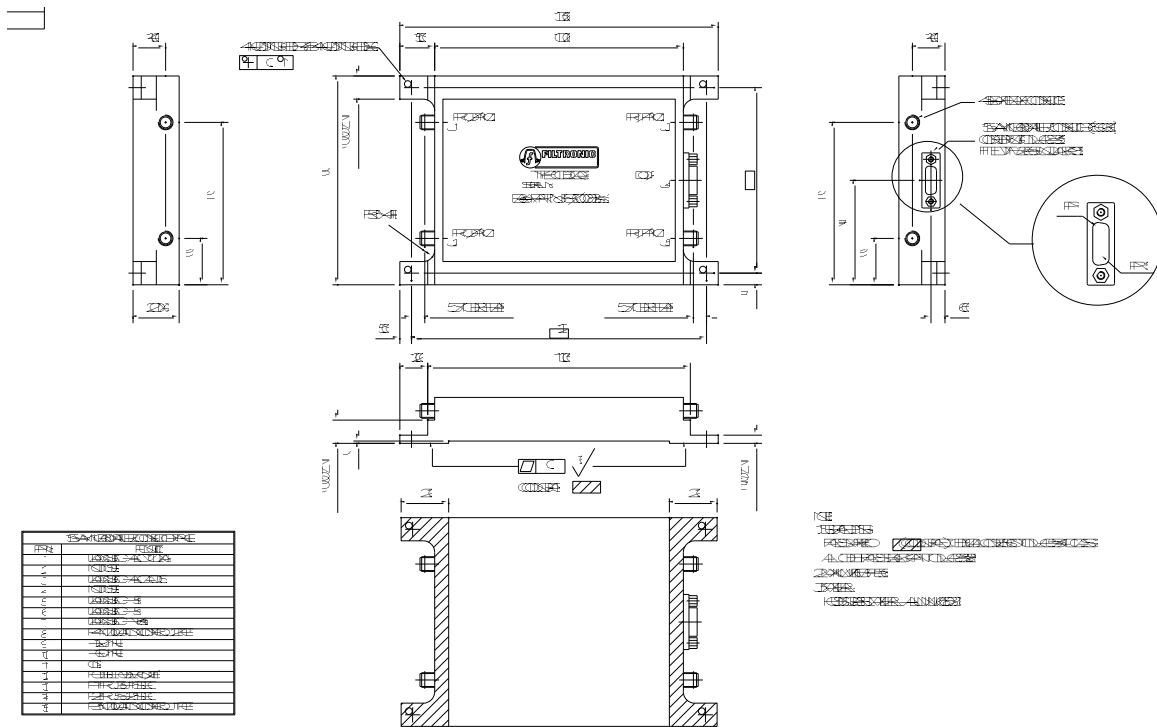
Frequency:	J3-J1 and J5-J2: 0.4-2GHz
Stop Bands:	DC-200MHz and 4-10GHz
Stop Band Isolation:	60dB
Insertion Loss:	5.5dB maximum
Population tracking:	1dB
Peak Power Protect:	170W 1 microsec PW 0.2% duty
BITE:	1.5GHz ±0.5%
Operating Temperature:	-54°C to +85°C
Built to withstand Military Spec operating conditions	
Operational flight tested	



RF Block Diagram



Typical Performance



Outline Drawing



L3 Micreo
 7 Hi-Tech Court,
 Brisbane Technology Park,
 Eight Mile Plains, QLD 4113
 Australia

T: +61 7 3340 6200
 F: +61 7 3340 6201
 E: sales@micreo.com
 www.micreo.com
 ABN 11 098 350 479

Ordering information:

592-BQA014 RF Signal Selector, Low Frequency

Please contact us for more information.

L3 Micreo reserves the right to amend specifications in the light of continuing development.
 ©2016 L3 Micreo Issue date: December 2016