

# BRR001

## Input Assembly Network

### Applications

- EW Receiver Front Ends
- General purpose amplifier / switch network

### Key Features

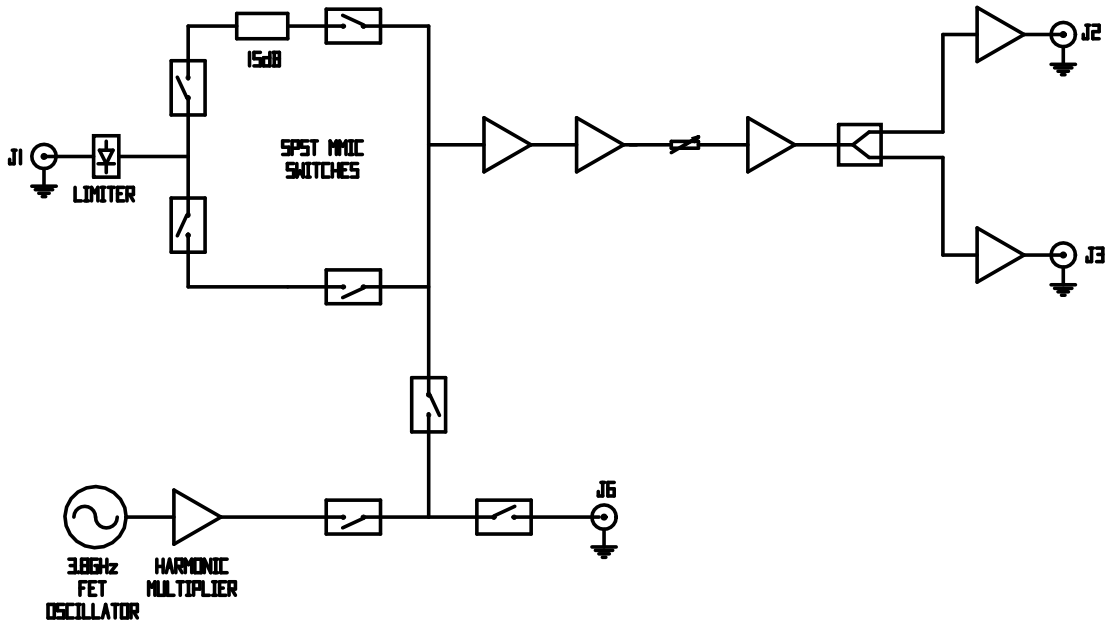
- Wideband response from 2-18GHz
- Flat gain response
- Moderate power and noise figure
- Low cost

### Specifications

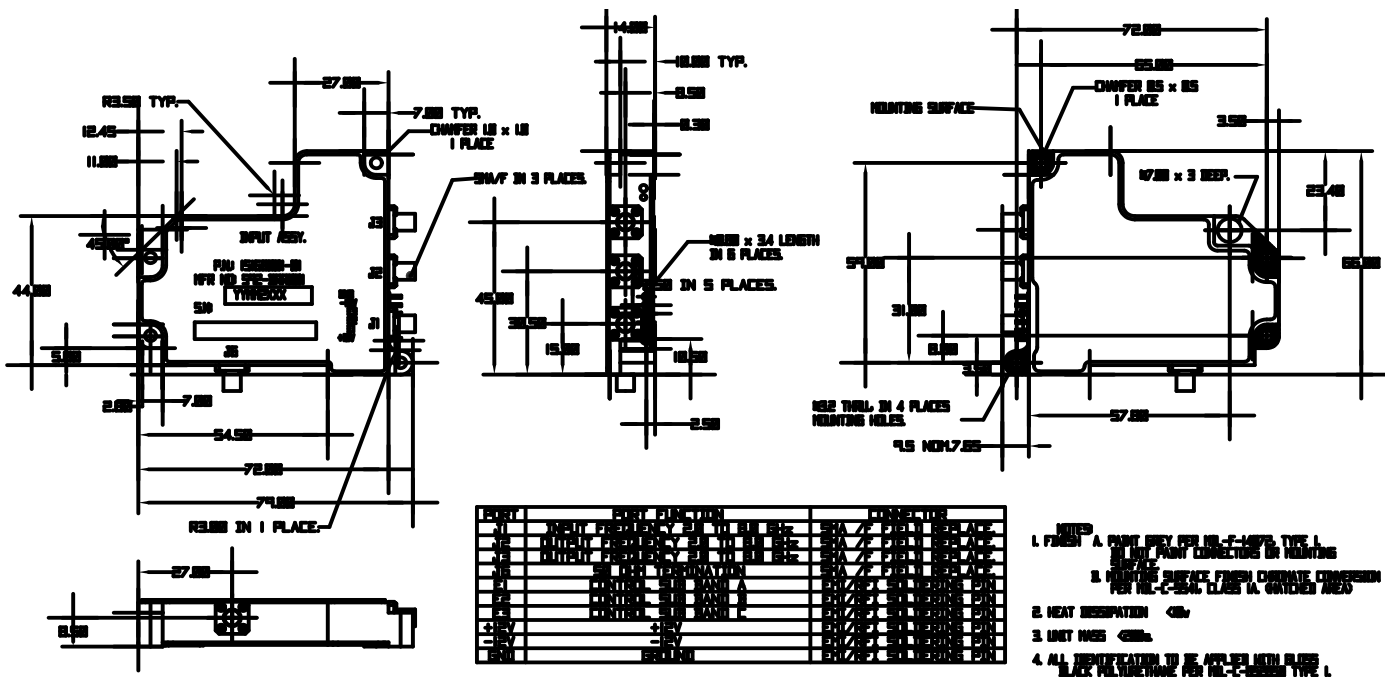
RF Input Range:		2-18GHz
Input & Output VSWR:		2.5:1 maximum
J1-J2 gain:		12.5-20.5dB, $\pm 2.25$ dB ripple
J1-J3 gain:		16.5-24.5dB, $\pm 2.25$ dB ripple
Input Switched Attenuator:		15dB
On - Off Isolation	J1-J2/J3	60dB minimum
	J2-J3	15dB minimum
	Test Gen-J2 / J3	40dB minimum
Output P1dB	J2	11.5dBm minimum
	J3	14.5dBm minimum
Two Tone Intermodulation		
	Second Order:	28dBm minimum, J2 & J3
	Third Order:	19dBm minimum, J2 20dBm minimum, J3
Noise Figure:	J1-J2 / J3:	12dB maximum
Switching Time:		150ns maximum
Video Leakage:		-70dBm maximum
Test Generator:		3.8GHz; -42dBm $\pm 1.5$ dB 7.6GHz, 11.4GHz, 15.2GHz; -50dBm minimum
DC Supply:		+12V, 770mA maximum -12V, 150mA maximum
Operating Temperature Range:		-54°C to +95°C
Vibration:		17.5gRMS 10-2000Hz random
Shock:		30g, 11 ms, half sine pulse



**Micreo**  
one step ahead



Block Diagram



Outline Drawing



L3 Micreo  
7 Hi-Tech Court,  
Brisbane Technology Park,  
Eight Mile Plains, QLD 4113  
Australia

T: +61 7 3340 6200  
F: +61 7 3340 6201  
E: sales@micreo.com  
www.micreo.com  
ABN 11 098 350 479

## Ordering information:

592-BRR001

Input Assembly Network

Please contact us for more information.

L3 Micreo reserves the right to amend specifications in the light of continuing development.  
©2016 L3 Micreo Issue date: December 2016