

BRQ003

Base Band Assembly

Applications

- Switch matrices
- EW receivers

Key Features

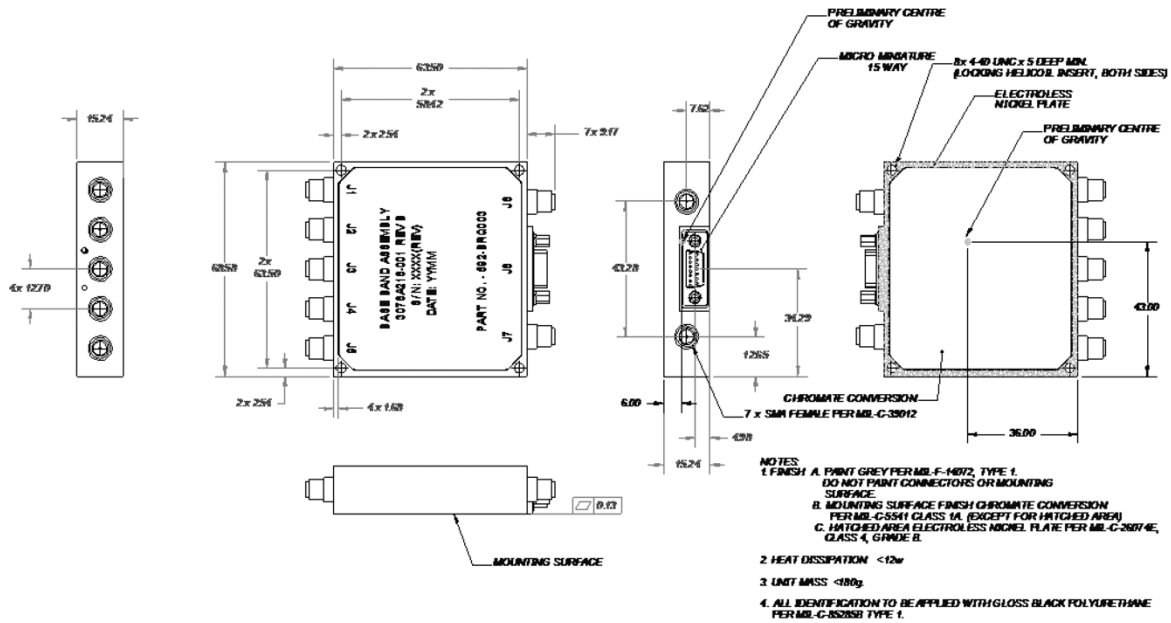
- 2-6GHz coverage
- Five inputs can be switched to either of the two outputs
- High on to off isolation through integral non-reflective switches
- High level of integration
- Hybrid MIC and MMIC technology

Specifications

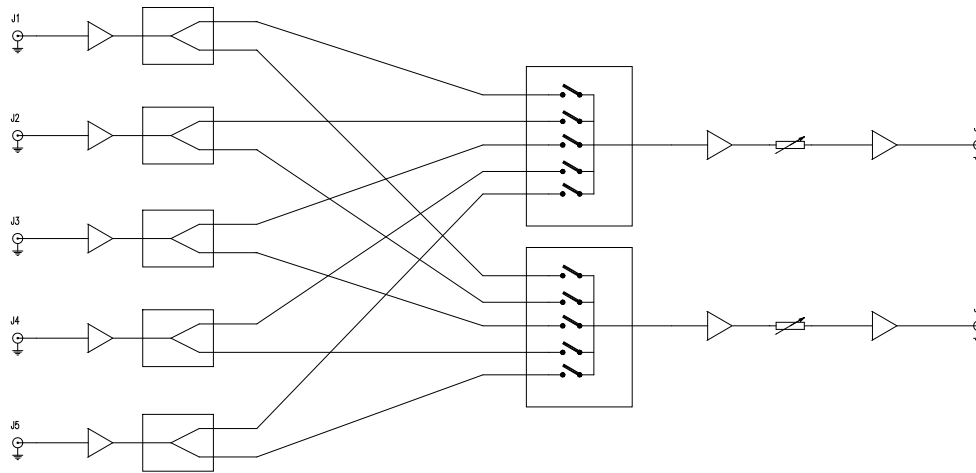
Frequency Range:	2-6GHz
Transmission Gain: J1-J5 to J6 or J7:	23-28dB
In-band Ripple: P1dB:	±1dB typ, ±1.25dB max 20dBm minimum
Noise Figure: Ambient Over temperature	4dB maximum 5dB maximum
On to Off isolation:	70dBc minimum
Input VSWR:	2:1 maximum
Output VSWR:	2:1 maximum
Spurious Output at P1dB:	65dBc
Harmonic output at P1dB:	20dBc maximum
Power Supply: +12V ±10%: - 2V ±10%:	900mA maximum 100mA maximum
Control Signals:	TTL levels, active high
Operating & Storage Temp:	-54°C to +95°C base plate
Humidity:	95% condensing
Vibration:	17.5gRMS 10-2000Hz random
Shock:	30g, 11 msec, half-sine pulse
Dimensions:	See drawing
Weight:	180g maximum



Micreo
one step ahead



Unit Outline



RF Block Diagram



Micreo
one step ahead

L3 Micreo
7 Hi-Tech Court,
Brisbane Technology Park,
Eight Mile Plains, QLD 4113
Australia

T: +61 7 3340 6200
F: +61 7 3340 6201
E: sales@micreo.com
www.micreo.com
ABN 11 098 350 479

Ordering information:

592-BRQ003

Base Band Assembly

Please contact us for more information.

L3 Micreo reserves the right to amend specifications in the light of continuing development.
©2016 L3 Micreo Issue date: December 2016