



# BQX004

6-18GHz 4W T/R Power Module

## Applications

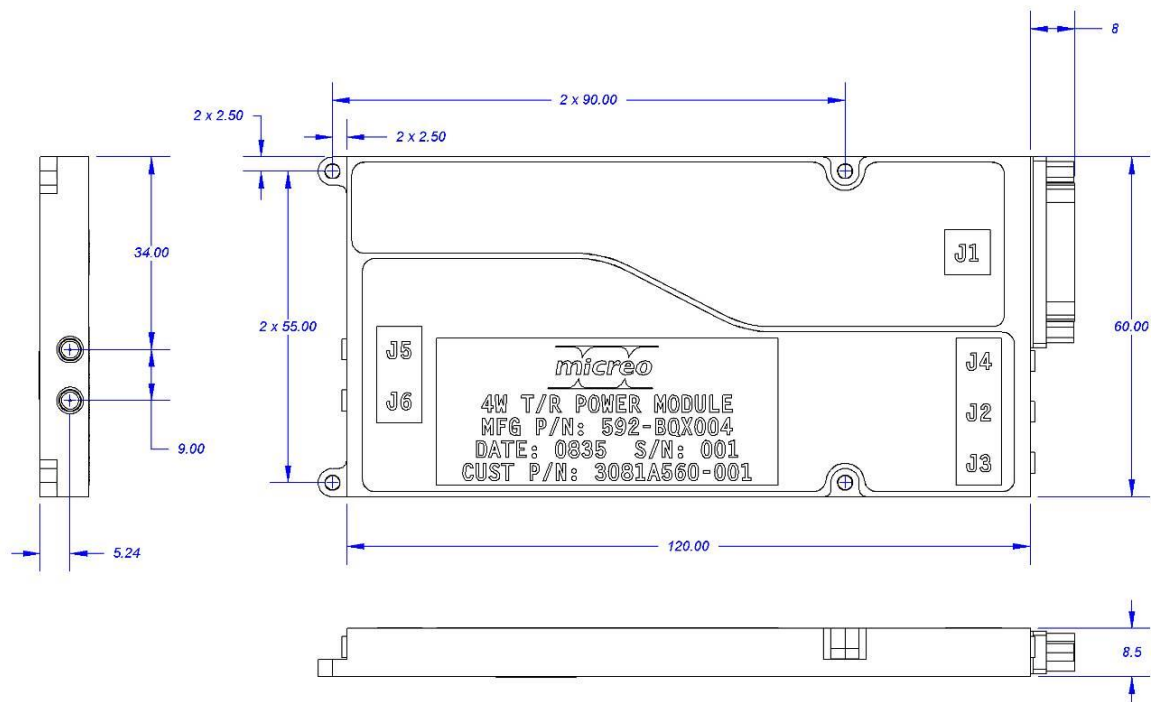
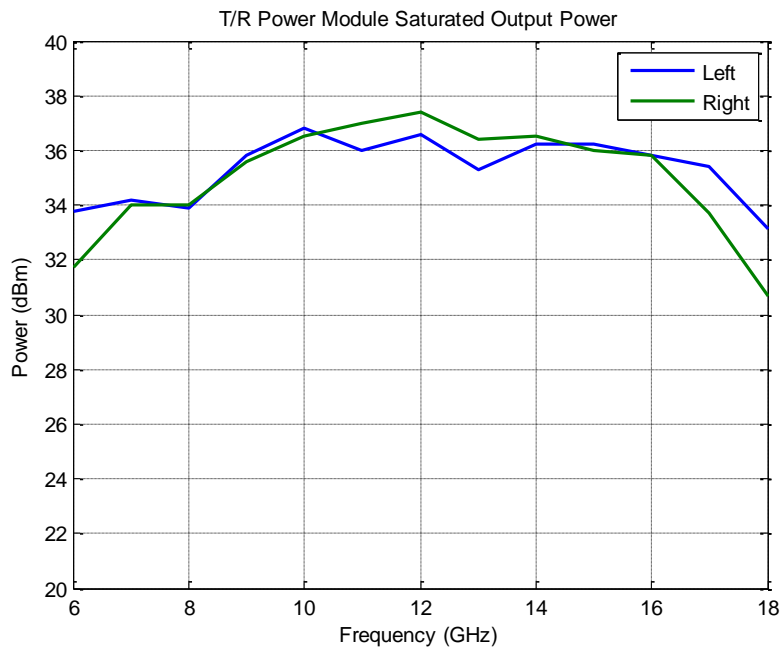
- Phase Arrays
- Electronic Warfare

## Key Features

- Frequency response 6GHz to 18GHz
- 360° phase shift
- 24dB gain control range
- Dual outputs
- Compact size

## Specifications

Frequency Range:	6-18GHz
Saturated Output Power:	+36 dBm typical, mid-band
Transmit Path Gain (small signal):	42dB maximum
Left/Right Switching Speed:	200ns maximum
Gain Control Range:	24dB
Gain Control Resolution:	5 bits (0.75dB)
Phase Control Range:	0°-348.75°
Phase Control Resolution:	5 bits (11.25°)
Receive Path Gain:	20dB minimum
Receive Path P <sub>1dB</sub> :	15dBm minimum
Receive Path Noise Figure:	5dB typical
Supply Voltage:	+8.25V, -5.0V
Supply Current:	4.5A maximum
Connector Type:	GPO
Operating Temperature:	-54°C to +64°C



**Outline Drawing**  
(Dimensions in mm)



L3 Micreo  
7 Hi-Tech Court,  
Brisbane Technology Park,  
Eight Mile Plains, QLD 4113  
Australia

T: +61 7 3340 6200  
F: +61 7 3340 6201  
E: sales@micreo.com  
www.micreo.com  
ABN 11 098 350 479

## Ordering information:

592-BQX004 6-18GHz 4W T/R Power Module

Please contact us for more information.

L3 Micreo reserves the right to amend specifications in the light of continuing development.  
©2016 L3 Micreo Issue date: December 2016