



BRQ004

Triples Up Converter Assembly

The BRQ004 Triples Up Converter accepts an input in the 2 to 6GHz band which is up converted by a triple balanced mixer using an LO at either 12GHz or 16GHz to the frequency range of 6 to 18GHz.

The compact lightweight package is low powered and ruggedized for use in harsh environments over extended temperature ranges and high shock/vibration.

Applications

- Block up converter
- EW, ELINT and ECM Systems

Key Features

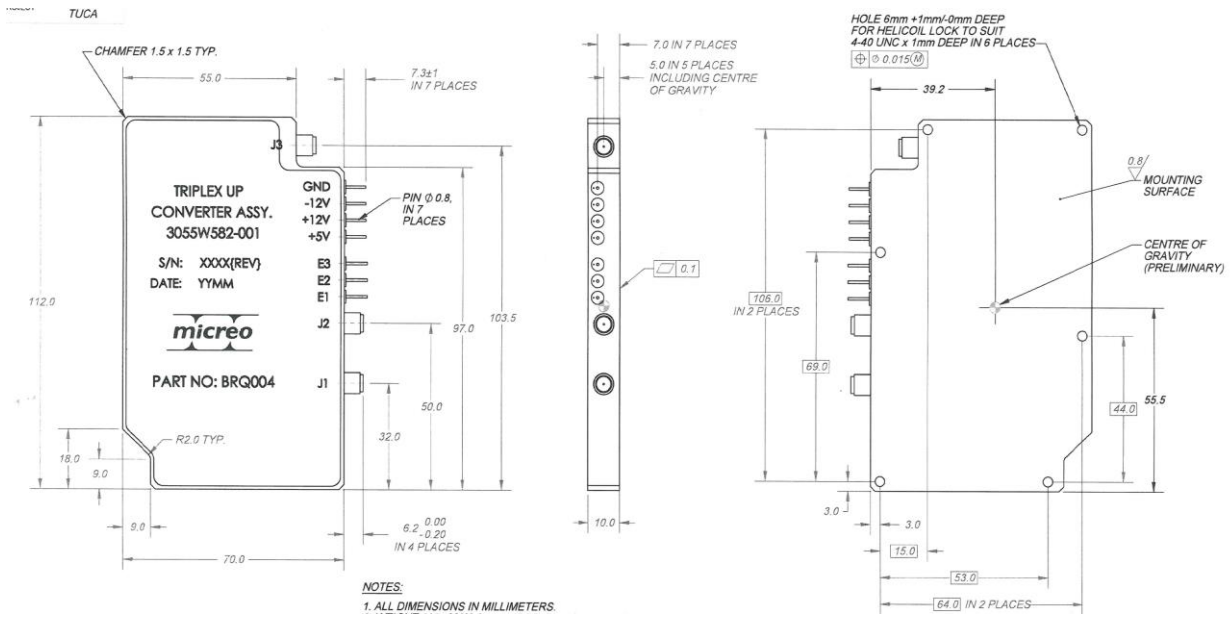
- Full 6-18GHz coverage in three sub-bands
- High level of integration
- A single, compact painted (grey) package with nickel plated mounting surface.
- State-of-the-art MMIC amplifier and SSS filter technology

Specifications

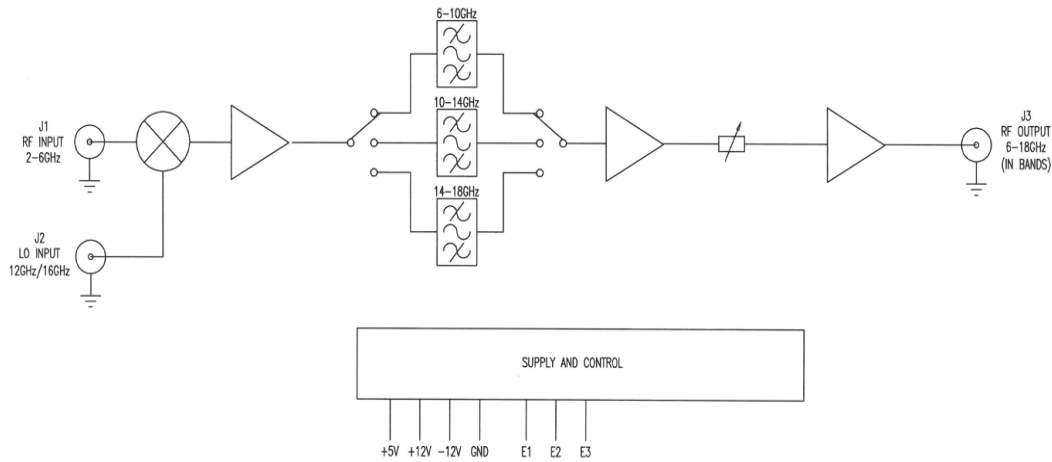
Input Frequency Range:	2-6GHz
Output Frequency Range:	6-18GHz
Sub-band Filters:	
Band A	6-10GHz
Band B	10-14GHz
Band C	14-18GHz
Transmission Gain:	
In/Out Gain J1 to J3:	10dB \pm 3dB
Gain Flatness J1 to J3:	\pm 1.5dB (per each 4GHz sub-band)
Gain Flatness:	\pm 2.5dB (full 12GHz bandwidth)
Minimum Output Power:	10dBm @ 1dB Gain Compression
Maximum Noise Figure:	18dB (J1 to J3)
Min Spurious Rejection:	-28dBc @ input power up to 1dB gain compression
Input VSWR:	2.0:1 maximum
Output VSWR:	2.0:1 maximum
LO Input VSWR:	2.0:1 maximum
Power Supply:	
+5V \pm 5%:	250mA max
-12V \pm 5%:	50mA max
+12V \pm 5%:	50mA max
Operating & Storage Temperature:	-54°C to +95°C base plate
Humidity:	95% condensing
Vibration:	17.5gRMS 10-2000Hz random
Shock:	30g, 11 milliseconds, half-sine pulse
Dimensions:	See drawing
Weight:	220g maximum



Micreo
one step ahead



Unit Outline



Block Diagram



L3 Micro
7 Hi-Tech Court,
Brisbane Technology Park,
Eight Mile Plains, QLD 4113
Australia

T: +61 7 3340 6200
F: +61 7 3340 6201
E: sales@micro.com
www.micro.com
ABN 11 098 350 479

Ordering information:

592-BRQ004

Triplex Up Converter Assembly

Please contact us for more information.

L3 Micro reserves the right to amend specifications in the light of continuing development.
©2016 L3 Micro Issue date: December 2016