

BRQ002

Integrated Receiver Module

Applications

- EW Receivers
- Channelisers

Key Features

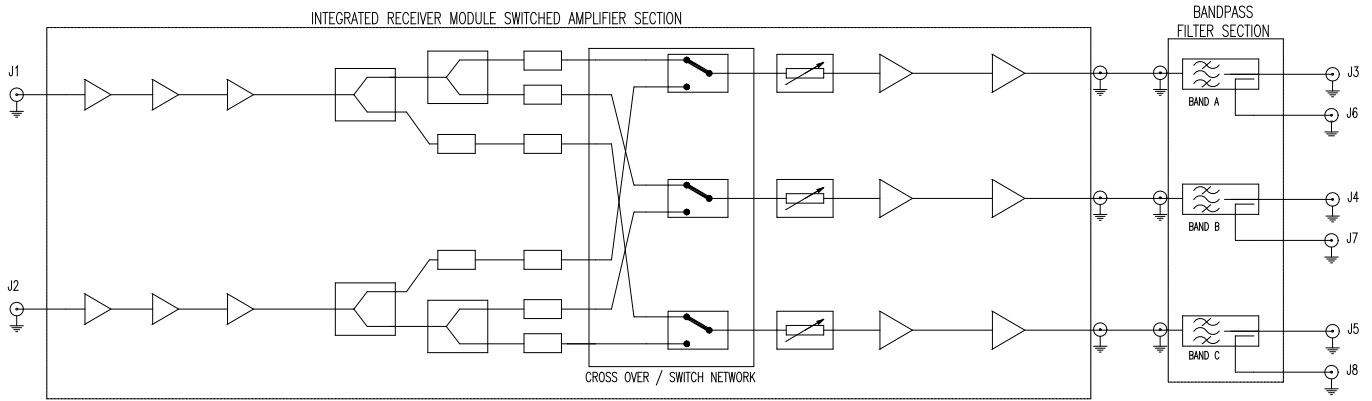
- Full 6-18GHz coverage in three bands
- High level of integration
- Dual inputs can be switched to any output
- State-of-the-art MMIC amplifier and SSS filter technology
- Integral filter provides high isolation, rejection, low group delay and rapid roll-off

Specifications

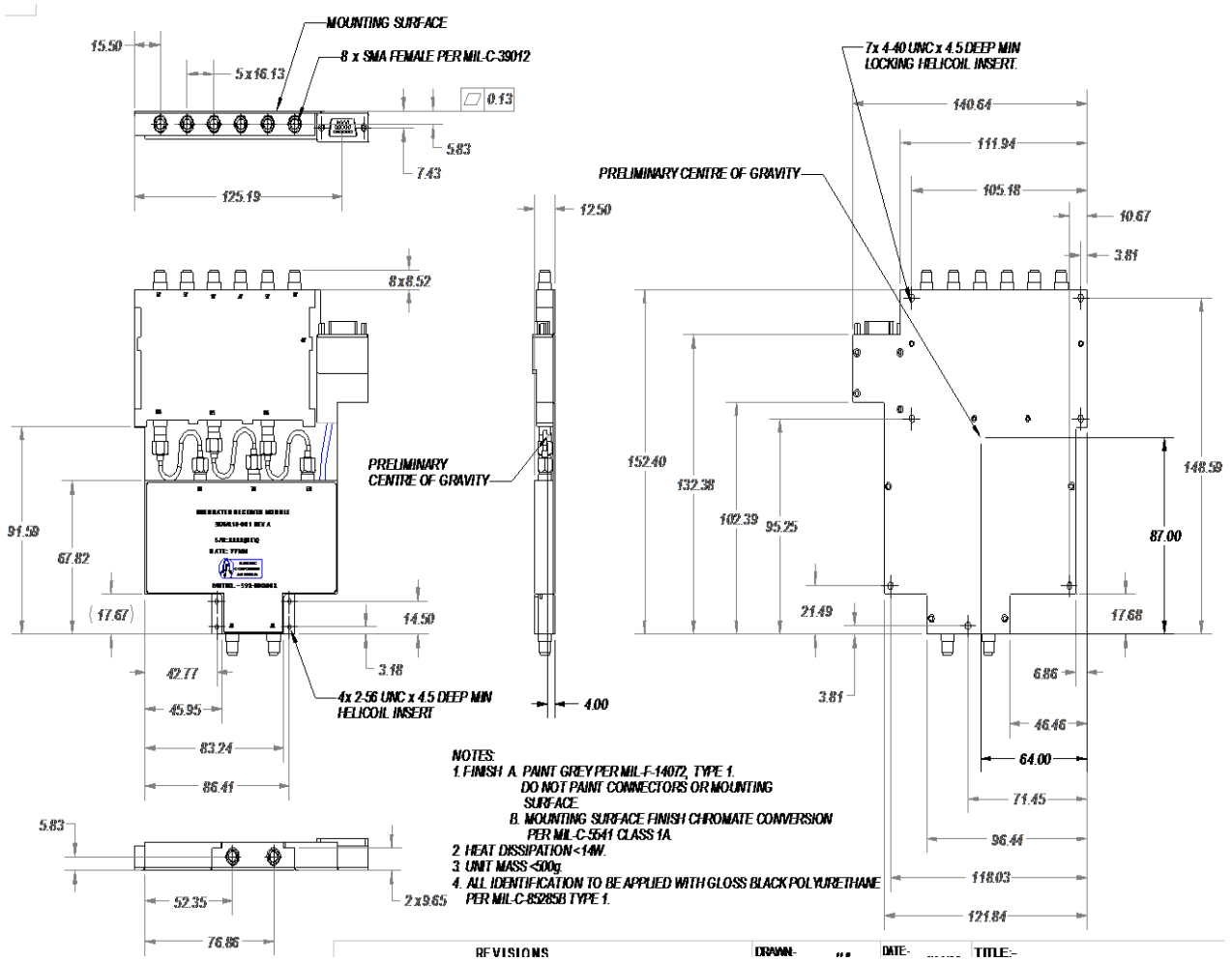
Input Frequency Range:	6-18GHz
Sub-band Filters	
Band A:	6-10GHz
Band B:	10-14GHz
Band C:	14-18GHz
Out-of-band Rejection:	60dBc minimum
On-Off Isolation:	70dBc typ, 60dBc min
Transmission Gain:	
J1 or J2 to J3, J4 or J5:	23-28dB
J1 or J2 to J6, J7 or J8:	-6dB \pm 0.7dB to related direct port
In-band Ripple (each band):	\pm 1.5dB max 15dB minimum
Group Delay Variation:	1ns typ, 2.5ns max
Output P1dB:	10dBm typ, 9dBm min
Noise Figure: Ambient	4dB typ, 4.5dB max
Over temperature	4.5dB typ, 5.2dB max
Input VSWR:	2:1 maximum
Output VSWR:	1.9:1 maximum
Spurious Output at P1dB:	65dBc
Harmonic Output at P1dB	30dBc typ, 20dBc min
Third Order Intercept Point:	0dBm typ, 15dBm min
Power Supply:	
+12V \pm 10%:	1100mA maximum
-12V \pm 10%:	50mA maximum
Control Signals:	TTL levels
Operating & Storage Temp:	-55°C to +95°C
Humidity:	95% condensing
Vibration:	17.5gRMS 10-2000Hz random
Shock:	30g, 11 milliseconds, half-sine pulse
Weight:	500g maximum



Micreo
one step ahead



Block Diagram



Outline Drawing



L3 Micro
7 Hi-Tech Court,
Brisbane Technology Park,
Eight Mile Plains, QLD 4113
Australia

T: +61 7 3340 6200
F: +61 7 3340 6201
E: sales@micro.com
www.micro.com
ABN 11 098 350 479

Ordering information:

592-BRQ002

Integrated Receiver Module

Please contact us for more information.

L3 Micro reserves the right to amend specifications in the light of continuing development.
©2016 L3 Micro Issue date: December 2016